



DATA SHEET

Q-605



MODEL Q-605
VOLTAGE 6
CAPACITY 200Ah @ 10Hr
MATERIAL ABS
BATTERY AGM Deep Cycle Power Battery
COLOR Brown Red
WATERING No Watering Required

6 VOLT

PHYSICAL SPECIFICATIONS

| BCI | MODEL NAME | VOLTAGE | CELL(S) | TERMINAL TYPE ^g | DIMENSIONS ^c INCHES (mm) | | | WEIGHT ^h LBS. (kg) |
|-----|------------|---------|---------|----------------------------|-------------------------------------|------------|---------------------|-------------------------------|
| | | | | | LENGTH | WIDTH | HEIGHT ^f | |
| -- | Q-605 | 6 | 3 | M8*20 | 10.24(260) | 7.09 (180) | 10.08 (256) | 64 (29) |

ELECTRICAL SPECIFICATIONS

| CRANKING PERFORMANCE | | CAPACITY ^a MINUTES | | CAPACITY ^b AMP-HOURS (Ah) | | | | ENERGY (kWh) | INTERNAL RESISTANCE (mΩ) | SHORT CIRCUIT CURRENT (amps) |
|-----------------------------------|--------------------------------|-------------------------------|-----------|--------------------------------------|-------|-------|--------|--------------|--------------------------|------------------------------|
| C.C.A. ^g @ 0°F (-18°C) | C.A. ^f @ 32°F (0°C) | @ 25 Amps | @ 75 Amps | 5-Hr | 10-Hr | 20-Hr | 100-Hr | 100-Hr | 1.8 | 3300 |
| — | — | 445 | 131 | 180 | 200 | 220 | 232 | 1.4 | | |

CHARGING INSTRUCTIONS

| CHARGER VOLTAGE SETTINGS (AT 77°F/25°C) | | | | | |
|--|------------------------|------|------|------|------|
| SYSTEM VOLTAGE | 6V | 12V | 24V | 36V | 48V |
| Maximum Charge Current (A) | 15% of C ₂₀ | | | | |
| Absorption Voltage (2.47 V/cell) | 7.4 | 14.8 | 29.6 | 44.4 | 59.2 |
| Float Voltage (2.30 V/cell) | 6.9 | 13.8 | 27.6 | 41.4 | 55.2 |
| Do not install or charge batteries in a sealed or non-ventilated compartment. Constant under or overcharging will damage the battery and shorten its life as with any battery. | | | | | |

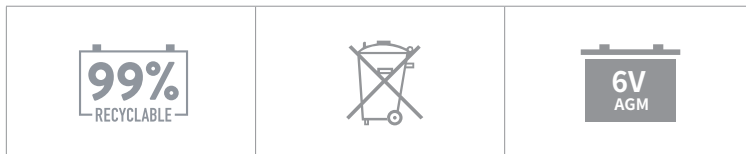
CHARGING TEMPERATURE COMPENSATION

| ADD | SUBTRACT |
|---|---|
| 0.003 volt per cell for every 1°C below 25°C 0.0017 volt per cell for every 1°F below 77°F | 0.003 volt per cell for every 1°C above 25°C 0.0017 volt per cell for every 1°F above 77°F |

OPERATIONAL DATA

| OPERATING TEMPERATURE | SELF DISCHARGE |
|---|---|
| -4°F to 113°F (-20°C to +45°C). At temperatures below 32°F (0°C) maintain a state of charge greater than 80%. | 5 - 15% per month depending on storage temperature conditions . |

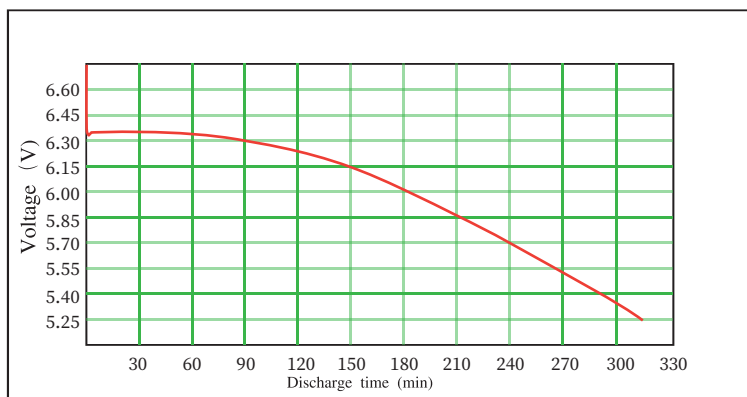
RECYCLE RESPONSIBLY



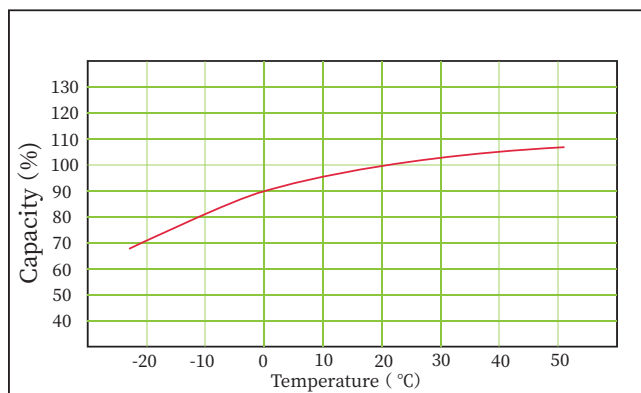
STATE OF CHARGE MEASURE OF OPEN-CIRCUIT VOLTAGE

| PERCENTAGE CHARGE | CELL | 6 VOLT |
|-------------------|------|--------|
| 100 | 2.20 | 6.60 |
| 90 | 2.17 | 6.51 |
| 80 | 2.14 | 6.42 |
| 70 | 2.12 | 6.36 |
| 60 | 2.09 | 6.27 |
| 50 | 2.07 | 6.21 |
| 40 | 2.04 | 6.12 |
| 30 | 2.02 | 6.06 |
| 20 | 2.00 | 6.00 |
| 10 | 1.97 | 5.91 |

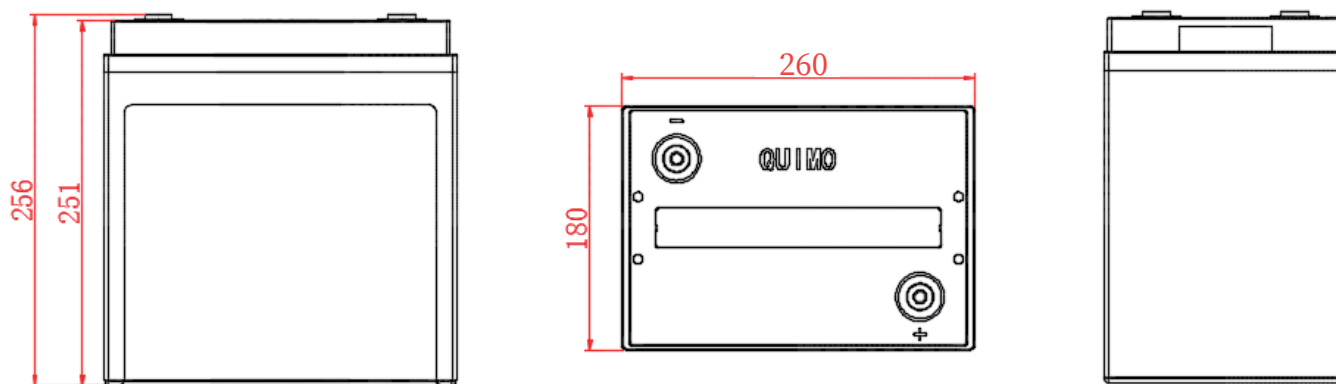
QUIMO Q-605 PERFORMANCE(5Hr)



PERCENT CAPACITY VS. TEMPERATURE(5Hr)



BATTERY DIMENSIONS (shown with M8)



TERMINAL CONFIGURATIONS ^G

| 1 | M8 |
|---|---|
| | Battery Height with Terminal in Inches (mm) 10.08 (256) |
| | Screw hole size (mm) M8*25 |

| 2 | M8 |
|---|--|
| | Bolt Size (mm) M8*20 |
| | Torque Values in-lb (Nm) 120~150 (14~17) |

- A. The number of minutes a battery can deliver when discharged at a constant rate at 80°F (27°C) and maintain a voltage above 1.75 V/cell. Capacities are based on peak performance.
- B. The amount of amp-hours (Ah) a battery can deliver when discharged at a constant rate at 80°F (27°C) and maintain a voltage above 1.75 V/cell. Capacities are based on peak performance.
- C. Dimensions may vary depending on type of handle or terminal. Batteries should be mounted with 0.5 inches (12.7 mm) spacing minimum.

- D. Height taken from bottom of the battery to the highest point on the battery. Heights may vary depending on type of terminal.
- E. Terminal images are representative only.
- F. Batteries in storage should be charged when they decline to 75% State of Charge (SOC).
- G. Weight may vary.



Hotline: 0513-88153000 +8618362180999
E-mail: quimobattery@163.com Website: www.quimobattery.com

Hong Kong Quimo Power Supply Co., Ltd. All rights reserved. This color page is for reference only. It is subject to change without notice. The company reserves the right to change the product design and specifications. Please check the official website of QUIMO battery (www.quimobattery.com) for the latest information.