

杭州奥蒂电控有限公司 Hangzhou AODI Electronic Control Co.,Ltd.	文件编号	
	Version	V00
QE4835, QE4860 Battery Charger Specs	生效日期	2021年7月1日
	Page	第1页共4页

# Specifications

Industrial Battery Charger 3.3kW  
Model: QE4835, QE4860



杭州奥蒂电控有限公司 Hangzhou AODI Electronic Control Co.,Ltd.	文件编号	
	Version	V00
QE4835, QE4860 Battery Charger Specs	生效日期	2021年7月1日
	Page	第2页共4页

## I Charger Features

**AODI QE4860** is a high reliable, durable, high efficiency, and intelligent charger. Excellent heat dissipation with fully sealed aluminum die-casting IP67 design to apply for various complex and harsh environments.

- Make the utmost of the EV charging technology platform, and considering the filed site environment to design this QE4860 charger to prolong the battery life and performance;
- Pre-configured over 20 charging profiles, able to program the custom charging profiles to suit any lead acid batteries and lithium-ion batteries, optimized to prolong the battery life and performance;
- USB to update the software, upload and download the charging data; Easy to diagnose if any faults to save the after-sales service cost;
- Auto-recharge for low voltage in maintenance mode;
- LED charging display design to improve the customers' charging experience;
- Optional CAN bus communication for machine integration or lithium BMS;
- **Application**  
Boom lift, lift trucks, Agriculture, utility vehicles;
- **Dimensions**  
Dimensions: 305×217×126mm  
Weight:7Kg  
Enclosure: IP67
- **Protection**  
Reverse Polarity Protection;  
Short-Circuit Protection;  
Overheat Protection;  
Low Input Voltage & High Voltage Protection;  
Charging Lock Function;  
Surge Protection;  
Soft Start;

## II Specs

### DC Output

Nominal Output	48VDC/35A	48VDC/60A
Max Output	70Vdc	
Max Current	35A	60A
Deep discharge recovery	5Vdc	
Max Power	1800W	3000W
Battery Type	Lead-acid (Wet/AGM/Gel), Li	
Charging Curves	Customized charging profiles according to the batteries' model, refer the manufacturer's operating manual	

### AC Input

Nominal Input Voltage	100-240Vac	
Input Voltage Range	85-265Vac	
Frequency	50-60Hz	
Max Current	16A	
Power Factor	0.99@110Vac	0.98@220Vac

杭州奥蒂电控有限公司 Hangzhou AODI Electronic Control Co.,Ltd.	文件编号	
	Version	V00
QE4835, QE4860 Battery Charger Specs	生效日期	2021年7月1日
	Page	第3页共4页

### Regulatory

Efficiency	≥92% at 220VAC; ≥90% at 110VAC Meet the CEC compliant
North America	USA UL1564, Canada CSA107.2 FCC Part15, ICES 003 CLASS A
CE	IEC60335-2-29, EN55011, EN 61000-6-4

### Environmental

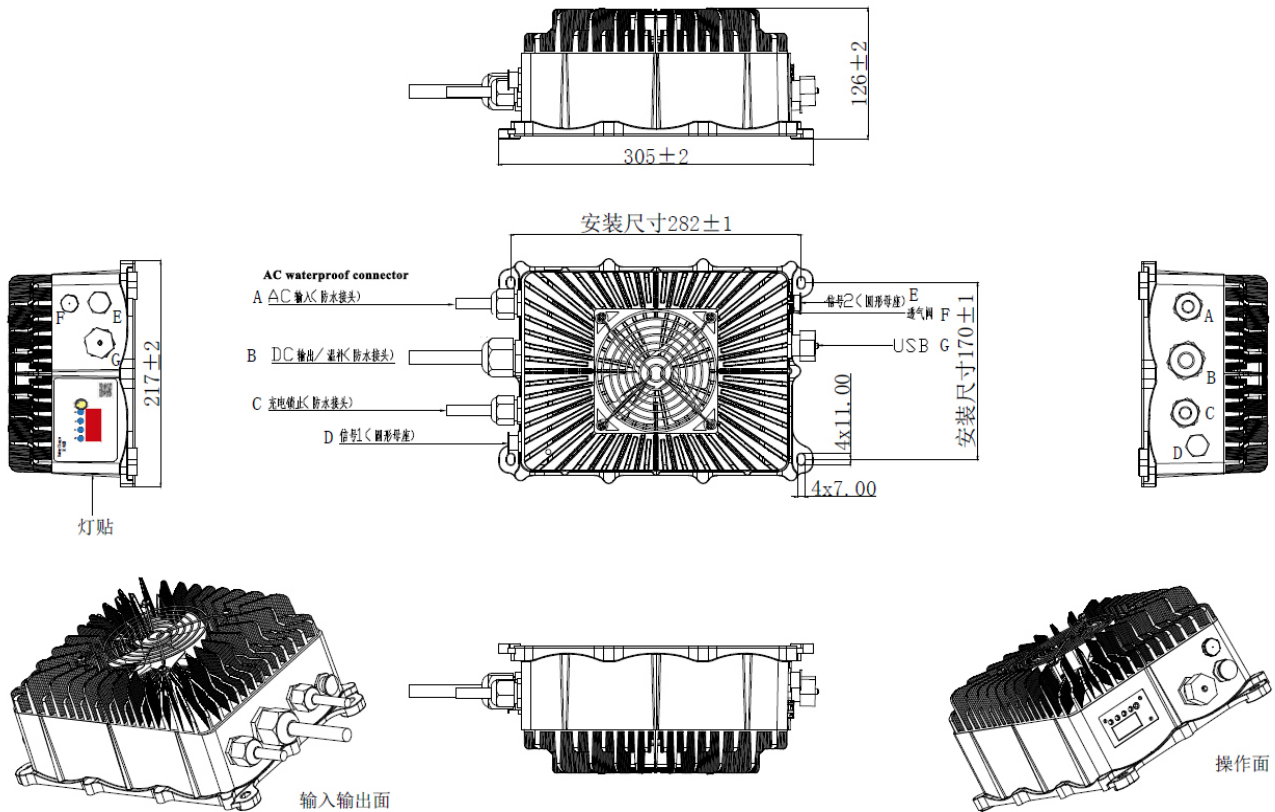
Operating Temperature	-40°C-65°C
Storage Temperature	-40°C-85°C
Enclosure Rating	IP67
Cooling	Air Cooling

### Mechanical

Dimensions	305x217x126mm
Weight	7KGS
AC Input Connector	Sealed, 1500mm length, customized available
DC Output Connector	Sealed, 1800mm length customized available
USB function	<ul style="list-style-type: none"> <li>◆ USB 2.0 , ≤16G, FAT32 format</li> <li>◆ Software update (update the software version and program a new charging profile)</li> <li>◆ Optional configuration 21 charging profiles</li> <li>◆ Charging data logging</li> <li>◆ Clear charging history</li> <li>◆ Replace a new charging curve</li> </ul>
Interlock	AC ON: Open(≤2A) AC OFF: Closed(≤2A)
Temperature sensor (Optional)	<ul style="list-style-type: none"> <li>◆ Monitor the batteries temperature</li> <li>◆ Connected at the negative electrode of the battery, automatically compensated according to the detected battery temperature.</li> </ul>
CAN Function (Optional)	CAN Protocol: Lithium BMS CAN Communication: CAN2.0B
External Indicator (Optional)	Easy to monitor the charging status
Carrying Handle (Optional)	More convenient

<p>杭州奥蒂电控有限公司</p> <p>Hangzhou AODI Electronic Control Co.,Ltd.</p>	文件编号	
	Version	V00
<p>QE4835, QE4860 Battery Charger Specs</p>	生效日期	2021年7月1日
	Page	第4页共4页

### III Drawing:



### IV User Notice

- Please do not modify or disassemble the product, otherwise it may cause electric shock;
- It is strictly forbidden to use the charger harness and cables as a handle;
- There are high-voltage and high-temperature places inside the product, which may cause electric shock or burns if touched;
- Please use the product within the range of technical parameters, if it is used outside the range, it may cause damage to the product;
- Hangzhou AODI Electronic Control Co.,Ltd has the final interpretation right of this product description, and it is not allowed to copy and reprint in any form without permission.