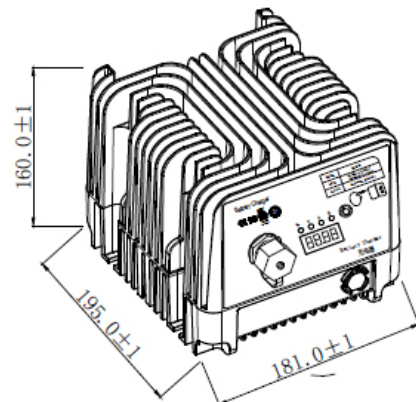


杭州奥蒂电控有限公司 Hangzhou AODI Electronic Control Co.,Ltd.	文件编号	
	文件版次	V00
QE2430, QE2436 Battery Charger Specs	生效日期	2021年5月1日
	页次 Page	第1页共4页

Specifications

Industrial Battery Charger
Model: QE2430, QE2436



杭州奥蒂电控有限公司 Hangzhou AODI Electronic Control Co.,Ltd.	文件编号	/
	文件版次	V00
QE2430, QE2436 Battery Charger Specs	生效日期	2021年5月1日
	页次 Page	第2页共4页

I Charger Features

AODI QE2430, QE2436 is a high reliable, durable, high efficiency, and intelligent charger.

- Excellent heat dissipation with fully sealed aluminum die-casting IP67 design to apply for various complex and harsh environments;
- Make the utmost of the EV charging technology platform, and considering the filed site environment to design this QE2430 and QE2436 charger to meet tough application requirements;
- High voltage protection up to 420VAC;
- USB to update the software, upload and download the charging data; Easy to diagnose if any faults to save the after-sales service cost;
- Auto-recharge for low voltage in maintenance mode;
- Pre-configured over 20 charging profiles, able to program the custom charging profiles to suit any lead acid batteries and lithium-ion batteries, optimized to prolong the battery life and performance;
- Optional CAN bus communication for machine integration or lithium BMS;
- LED charging display design to improve the customers' charging experience;
- **Application**
Scissor lift, lift trucks, floor care machines;
- **Mechanical**
Dimensions:195*181*160mm
Weight:5KGS
Enclosure rating: IP67
- **Protection**
Shock &Vibration Protection;
Reverse Polarity Protection;
Short-Circuit Protection;
Overheat Protection;
Low Input Voltage & High Voltage Protection;
Charging Lock Function;
Surge Protection; Soft Start;

II Spec

DC Output		
Nominal Output	24VDC/30A	24VDC/36A
Max Output	36Vdc	
Max Current	30A	36A
Deep Discharge Recovery	5Vdc	
Max Power	720W	900W
Battery Type	Lead-acid (Wet/AGM/Gel), Li	
Charging Curves	Customized charging profiles according to the batteries' model, refer the manufacturer's operating manual	
AC Input		
Nominal Input Voltage	100-240Vac	
Input Voltage Range	85-265Vac	
Max Current	7.5A@110V	10.5A@110V
Frequency	50-60Hz	
Power Factor	0.99@110Vac	0.98@220Vac

杭州奥蒂电控有限公司 Hangzhou AODI Electronic Control Co.,Ltd.	文件编号	/
	文件版次	V00
QE2430, QE2436 Battery Charger Specs	生效日期	2021年5月1日
	页次 Page	第2页共4页

Regulatory

Efficiency	≥92% at 220VAC; ≥90% at 110VAC
North America	USA UL1564, Canada CSA107.2 FCC Part15, ICES 003 CLASS A
CE	IEC60335-2-29, EN55011, EN 61000-6-4

Environmental

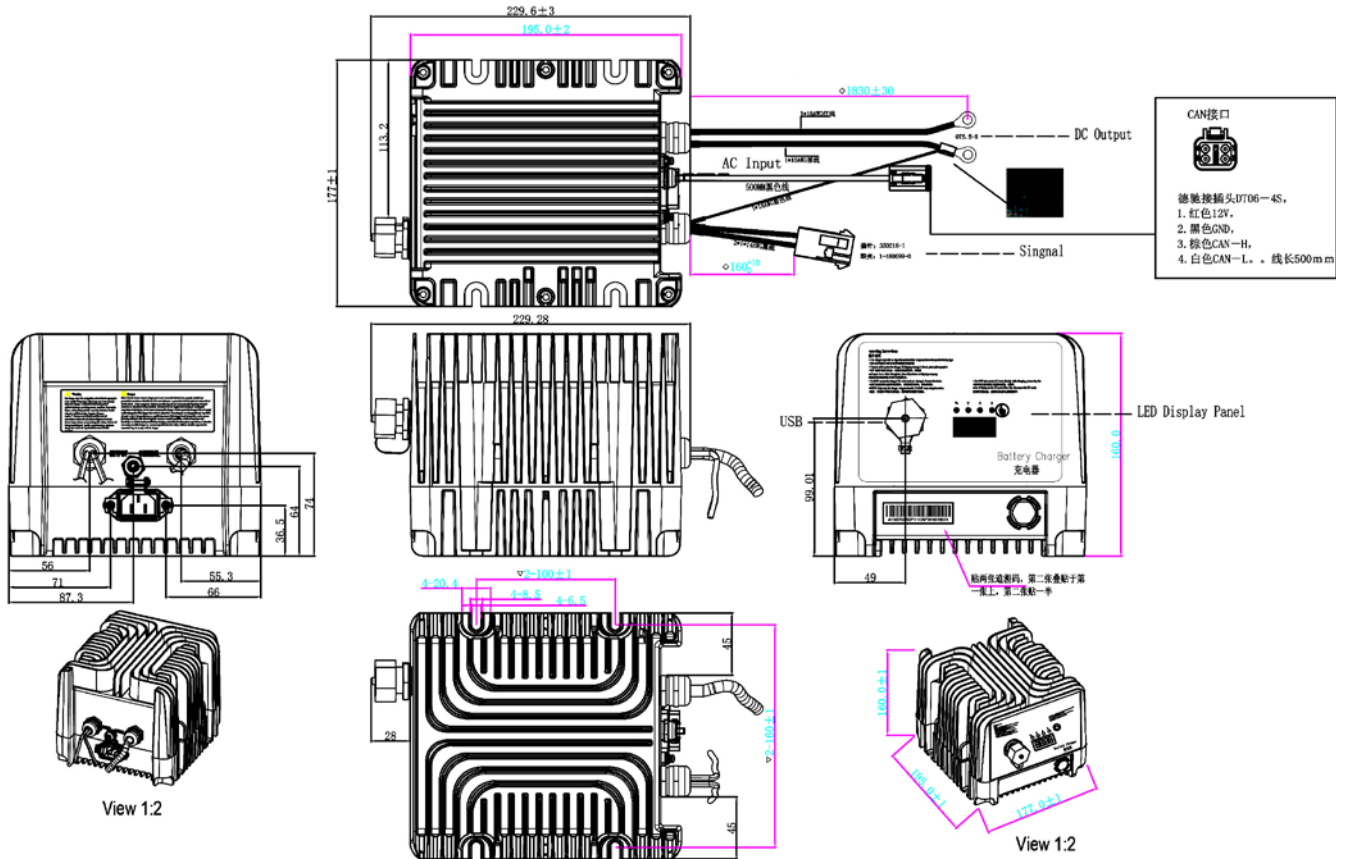
Operating Temperature	-40℃-65℃
Storage Temperature	-40℃-85℃
Enclosure Rating	IP67
Cooling	Nature cooling

Mechanical

Dimension	195*181*160mm
Weight	5KGS
AC Input Connector	Sealed, locking cable, 1500mm length, customized available
DC Output Connector	Sealed, 1800mm length, customized available
USB Function	<ul style="list-style-type: none"> ◆ USB 2.0, ≤16G, FAT32 format; ◆ Software update (update the software version and program a new charging profile); ◆ Optional configuration 21 charging profiles; ◆ Charging data logging; ◆ Clear charging history; ◆ Replace a new charging curve;
Select Button	<ul style="list-style-type: none"> ◆ EQ Mode ◆ Select the Charging curve
Interlock	AC ON: Open(≤2A) AC OFF: Closed(≤2A)
Digital Display Tube	<ul style="list-style-type: none"> ◆ Output voltage XX.XX ◆ Output current XX.XX ◆ Charging percentage % ◆ Curve code ◆ Faulty code
Temperature Sensor (Optional)	<ul style="list-style-type: none"> ◆ Monitor the batteries temperature ◆ Connected at the negative electrode of the battery, automatically compensated according to the detected battery temperature.
CAN Function (Optional)	CAN Protocol: Lithium BMS CAN Communication: CAN2.0B
External Indicator (Optional)	Easy to monitor the charging status

<p style="text-align: center;">杭州奥蒂电控有限公司</p> <p style="text-align: center;">Hangzhou AODI Electronic Control Co.,Ltd.</p>	文件编号	/
	文件版次	V00
<p style="text-align: center;">QE2430, QE2436 Battery Charger Specs</p>	生效日期	2021年5月1日
	页次 Page	第3页共4页

III Drawing:



IV User Notice

- Please do not modify or disassemble the product, otherwise it may cause electric shock;
- It is strictly forbidden to use the charger harness and cables as a handle;
- There are high-voltage and high-temperature places inside the product, which may cause electric shock or burns if touched;
- Please use the product within the range of technical parameters, if it is used outside the range, it may cause damage to the product;
- Hangzhou AODI Electronic Control Co.,Ltd has the final interpretation right of this product description, and it is not allowed to copy and reprint in any form without permission.